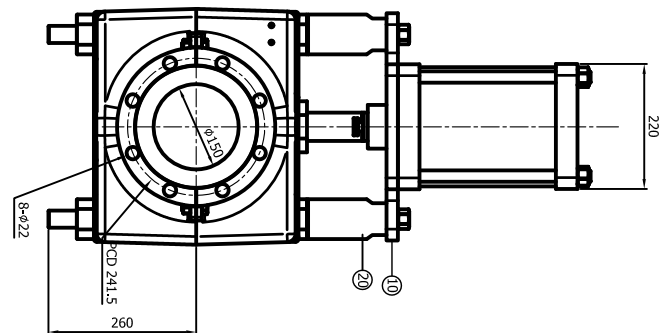
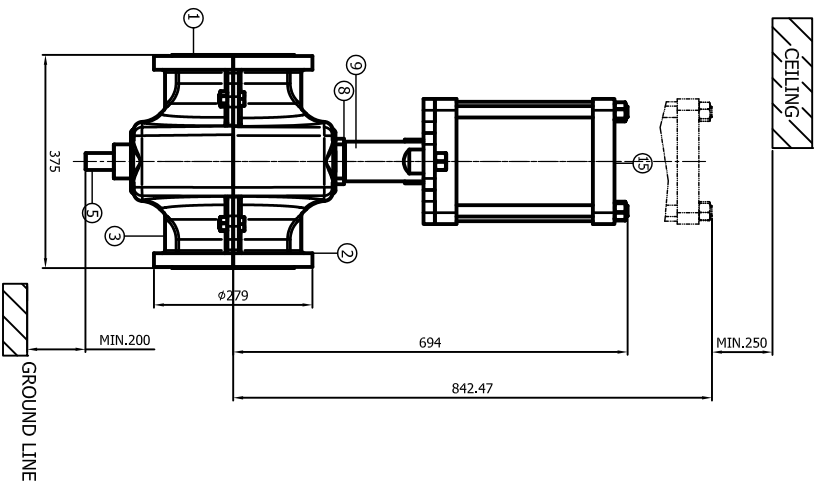
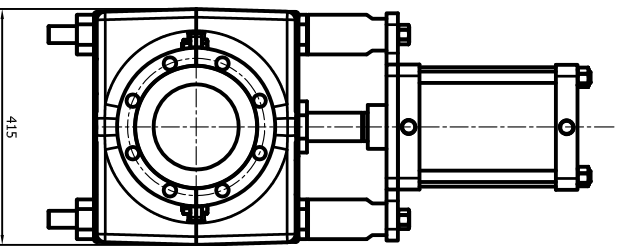
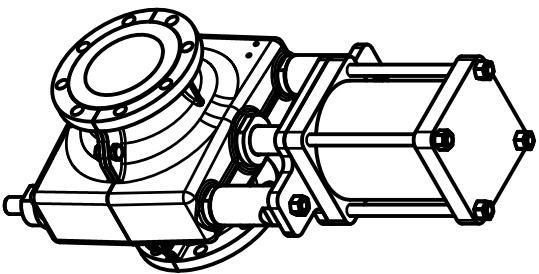
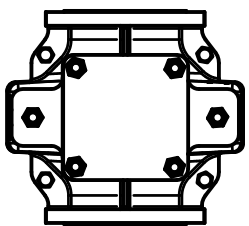


PSV-1000 - 150A



PART NO.	PART NAME	Q'TY	MATERIAL	REMARK
1	SLEEVE	1	CR RUBBER	
2	TOP COVER	1	FCD	
3	BOTTOM COVER	1	FCD	
4	BEND CLAMP	4	SUS304	
5	GUIDE POST	1	SS41	NI -PLATING
6	PUSH BAR	2	SS41	NI -PLATING
7	GUIDE BUSHING	6	P.P	
8	SHAFT BUSHING	6	P.P	
9	SHAFT	1	SS41	NI -PLATING
10	PLATE	1	SS41	
11	SOL-VALVE	1	SMC	
12	INDICATOR SHAFT	1	SUS304	
13	LIMITS SWITCH	2	HONEY-WELL	
14	LIMITS PIN	1	SUS304	
15	ACTUATOR	1	KCL-SERISE	

PART LIST

NOTE

ELECTRIC CABLE CONNECTED WITH LIMIT SWITCH SHALL BE FLEXIBLE DUE TO THE AN UP AND DOWN MOTION OF CYLINDER ACTUATOR

FLANGE CODE : ANSI 150# /mm

SAM SUNG CONTROL VALVE

TITLE
PSV-1000-150

SIZE	DESIGN BY	DATE	DWG NO.	MODEL NO.	REV
A4	LEE SANG YOON	2010. 08 . 25 .	DXF-PSV-150	PSV-1000-150	03
SCALE	N/S	UNITS	mm	SHEET NO.	PSV100-01