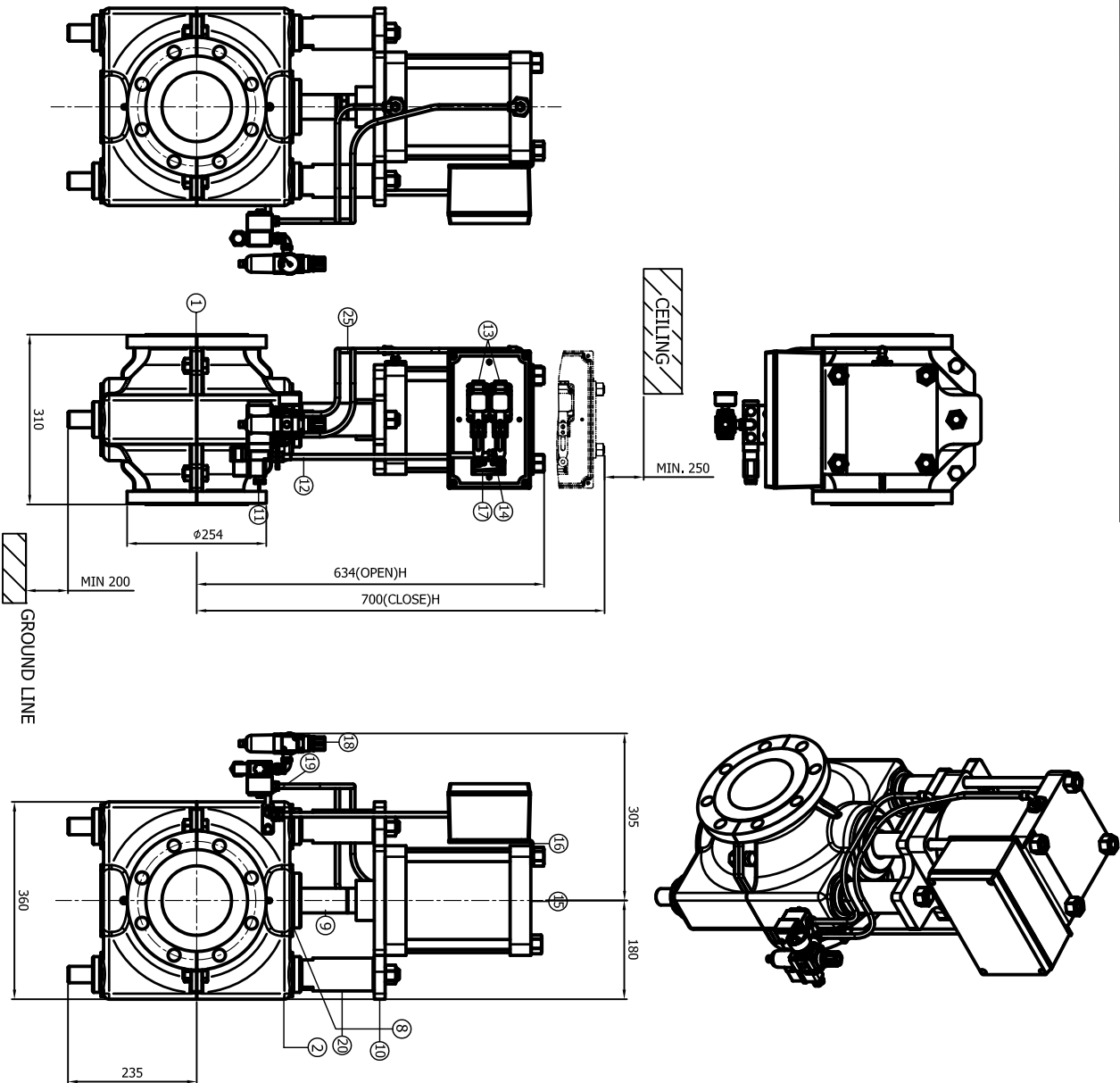


PSV-1000 - 125A



PART NO.	PART NAME	Q'TY	MATERIAL	REMARK
1	SLEEVE	1	CR RUBBER	
2	TOP COVER	1	FCD	
3	BOTUM COVER	1	FCD	
4	BEND CLAMP	4	SUS304	
5	GUIDE POST	1	SS41	NI-PLATING
6	PUSH BAR	2	SS41	NI-PLATING
7	GUIDE BUSHING	6	P.P	
8	SHAFT BUSHING	6	P.P	
9	SHAFT	1	SS41	NI-PLATING
10	PLATE	1	SS41	
11	SOL-VALVE	1	SMC	
12	INDIGATOR SHAFT	1	SUS304	
13	LIMITS SWITCH	2	HONEY-WELL	
14	LIMITS PIN	1	SUS304	
15	ACTUATOR	1	KCL-SERISE	
16	BRAKET	1	SS41	NI-PLATING
17	INDIGATOR	1	AL	
18	AIR-SET	1	AFR-200	
19	SOL-BRAKET	1	SUS304	
20	ADJUST SHAFT	1	SS41	NI-PLATING
21	LIMITS-BOX	1	DS-2025	
22	PITTING ELBOW	1	BRASS	
23	BUSHING 3/4"-1/4"	1	BRASS	
24	PITTING SOKET	1	BRASS	
25	TUBE	1	PP	

NOTE

ELECTRIC CABLE CONNECTED WITH LIMIT SWITCH SHALL BE FLEXIBLE DUE TO THE AN UP AND DOWN MOTION OF CYLINDER ACTUATOR
 FLANGE CODE : ANSI 150# /mm

SAM SUNG CONTROL VALVE
PSV-1000-125

SIZE	DESIGN BY	DATE	DWG NO.	MODEL NO.	REV
A4	LEE SANG YOON	2010. 06 . 25 .	DXF-PSV-125	PSV-1000-125	03

SCALE N/S UNITS mm SHEET NO. PSV100-01