

SMALL FLOW CAPACITY CONTROL GLOBE VALVE SCV-1208 SERIES (2-Way & 3-Way)

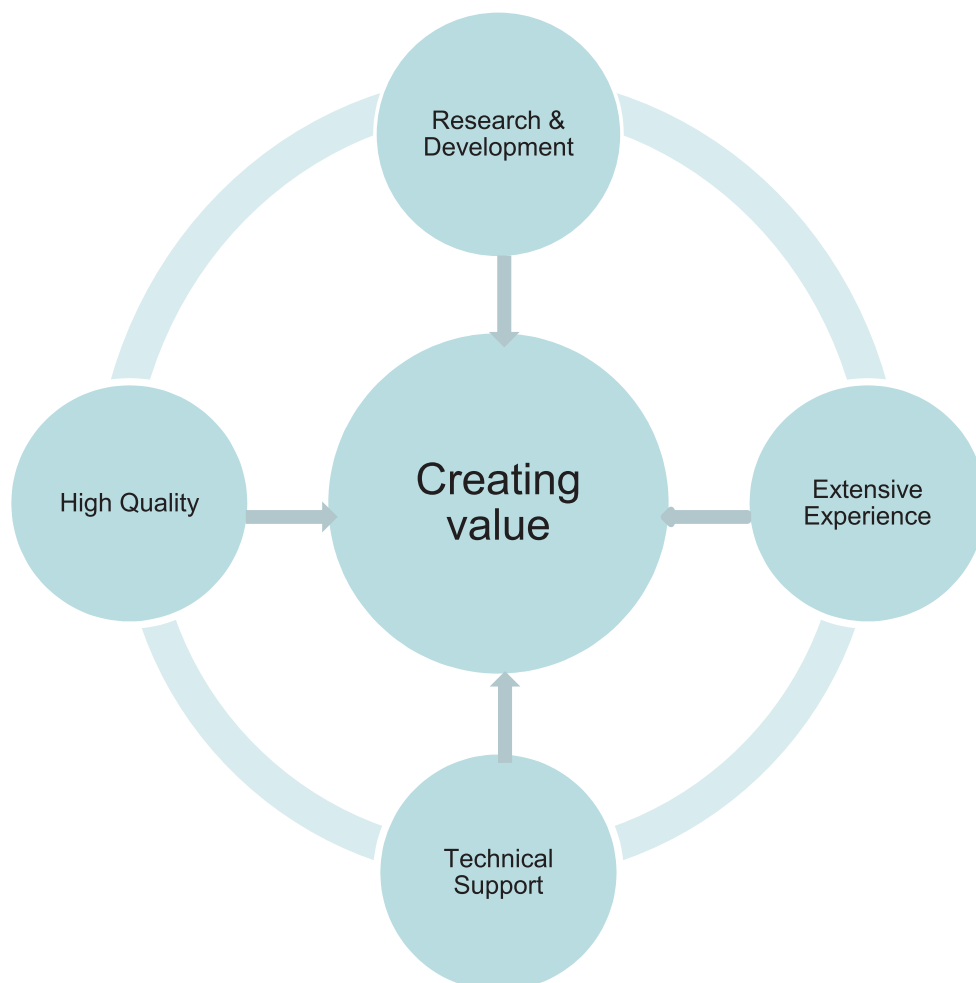


About Samsung Control Valve

Samsung Control Valve is a growing company with over 21 years of extensive experiences in the valve automation industry. As a pioneer in the valve automation industry in Korea, Samsung Control Valve provide best quality control valves and offer optimum automation control services in custom-design, plan, and installation.

Samsung Control Valve promise efficient and satisfactory services for our customers with the competitive price, high quality and the shortest time, matching customers' needs and satisfaction. Also, we enhances our customers' fulfillment by making technique support and maintenance service available at their needs.

With our outstanding performances and our highly recognized reputation in the valve automation industry, we look forward to share our extensive experiences and best quality with the customers in valve automation market. Samsung Control Valve will become the top of valve automation industry thorough improving the quality and continuous development



Small flow capacity control globe valve

Model : SCV-1208

Description

- Compact size and Stainless steel body
- Designed for semi-conductor, food/beverage/meat processing, vacuum processing, pharmaceutical, chemical, equipment of R&D and many other industries.
- Suitable for High-pressure fluid
- Customized micro-flow control.
- Quick change type and simple design for easy replacement and maintenance
- Auto-calibration
- Fail-freeze or position.
- Visual display of valve position
- In/Output signal (4~20mA)



Specification

- VALVE

Type	Straight-through, Diverting or Mixing(3-Way)	
Size	Ferrule	1.0 ~ 2.0
	Thread	¼ ~ 1
	Flange	15A ~ 25A
Rating	JIS10~40K, ANSI Class 125, 150, 300, 600	
End connection	Flange	FF, RF, RJ, LG, Ferrule, Male
	Welding	SW(1/2~2")
	Thread	½ ~ 1"
Materials	Body	SUS304, 316, 316L etc
	Plug	SUS304, 316 etc
	Seat	SUS304, 316, RTFE etc
Bonnet	Plain type	-17°C ~ +230°C
	Extension	-45°C ~ +800°C
Gland	Bolted gland	
Gland packing	V-Teflon, Graphite	
Gasket	RTFE, S.W.G	

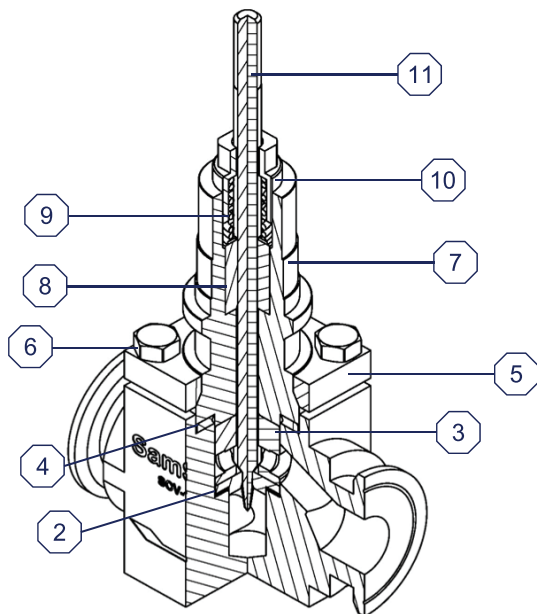
• ACTUATOR

Type	Single acting diaphragm actuator
Action	Direct / Reverse action
Diaphragm	Ethylate propylene rubber
Spring range	0.8 ~ 2.4 kg f/cm ²
Supply pressure	1.2 ~ 4.0 kg f/cm ²
Air connection	Rc female tap
Ambient temperature	-30°C ~ +70°C
Materials	Cover-SS41 / Yoke-FC

Performance

Rated Cv value	0.001~6.0	
Flow characteristics	Please refer fig1 & 2.	
Inherent range ability	80:1	
Seat leakage (Contoured type plug)	Metal seat	ANSI Class IV(B16.104)
	Soft seat	ANSI Class VI(B16.104)
Valve plug (Single seated, Contoured type)	Metal seat	Please refer fig1.
	Soft seat	Please refer fig2.

Part list



NO.	PART NAME	MATERIAL
1	BODY	SUS304 , SUS316
2	SEAT	SUS304 , SUS316
3	CAGE	SUS304 , SUS316
4	GASKET	RTFE , S.W.G
5	BONNET RING	SUS304 , SUS316
6	HEXAGON BOLT	SUS304
7	BONNET	SUS304, SUS316
8	GLAND PACKING	RTFE , GRAPHITE
9	SPRING	SUS304
10	GLAND CAP	SUS304
11	STEM(PLUG)	SUS304 , SUS316

Cv value and travel

Plug	Characteristic	Rated Cv value Rated travel	Rated Cv value														
			0.01	0.04	0.1	0.2	0.25	0.4	0.63	1.0	1.6	2.5	4.0	6.3	10	14	
COUNTOURED TYPE	METAL SEAT	EQUAL PERCENTAGE(%CF)					○	○	○	○	○	○	○	○	○	○	○
		LINEAR(LCF)	○	○	○	○	○	○	○	○	○	○	○	○	○	○	○
	SOFT SEAT	EQUAL PERCENTAGE(%TF)					○	○	○	○	○	○	○	○	○	○	○
		LINEAR(LTF)			○	○	○	○	○	○	○	○	○	○	○	○	○

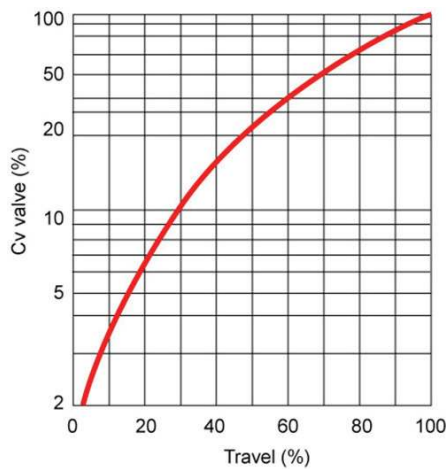


Fig. 1-1 Equal % characteristics
(% CF : metal seat)

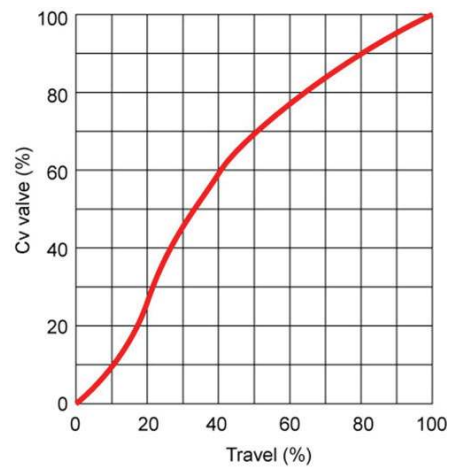


Fig. 1-2 linear characteristics
(LCF : soft seat)

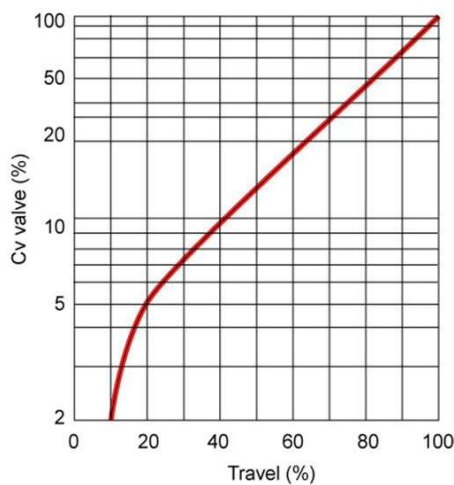


Fig.2-1 Equal % characteristics
(%TF : soft seat)

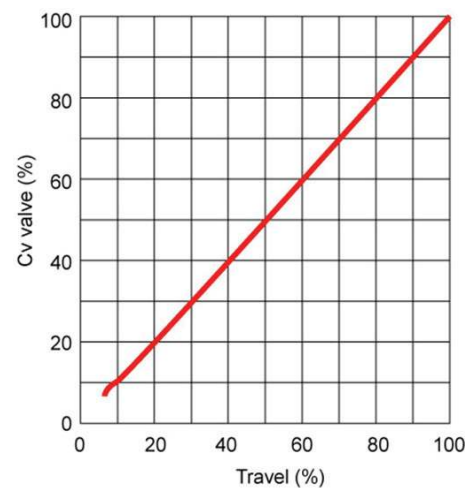


Fig. 2-2 linear characteristics
(LTF : soft seat)

E/P POSITIONER(PS-2000 SERIES)

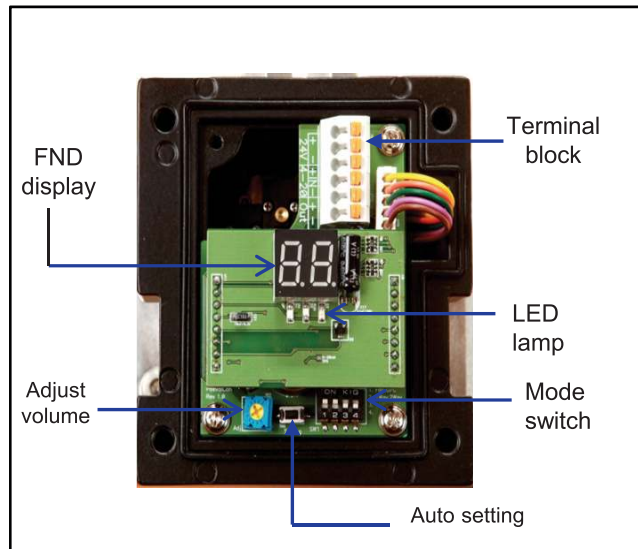
PS-2000 accurately controls valve stroke according to input signal(4-20mA) which is being input from the controller. In addition, the built-in micro-processing operator optimizes the performance of positioner and modules for feedback(4-20mA output) and the unique functions as the following is standardized.

Function	Description
FND DISPLAY	Indicating the current position of valve in display ,using 0~99 and FS(100%)
FEEDBACK SIGNAL	Position transmitter(4~20mA output), offered as standard
AUTO CALIBRATION	Simple Auto calibration using push button
FAIL FREEZE	Stop mode in case of input signal-failure.
FAIL POSITION	Simply set fail-position(open or close) according to the mode of Actuator
COMPACT SIZE	Rugged construction and compact size. Easy to install at the field
IP66	Excellent enclosure against dust, rain or water

Specification

ITEM	PS-2000L
Power supply	DC 24 V
Input Signal	4~20mA DC
Supply Pressure	1.4~7kgf/cm ² (0.14~0.7MPa)
Stroke	10~100mm
Impedance	Max 160Ω / 20mA DC
Air Connection	PT(NPT) 1/8"
Electric Conduit	PF1/2 G(1/2)
Repeatability	±0.3% F.S.
Operating Temp	-20°C~65°C (-20~149°F)
Linearity	±0.5% F.S.
Hysteresis	±0.5% F.S.
Sensitivity	±0.2% F.S.
Flow Capacity	9LPM(sup=2.8k)
Flow Characteristics	Linear, EQ%, Quick Open
Material	Aluminum Die-casting
Enclosure	IP66
Weight	0.82kg(1.8lb)

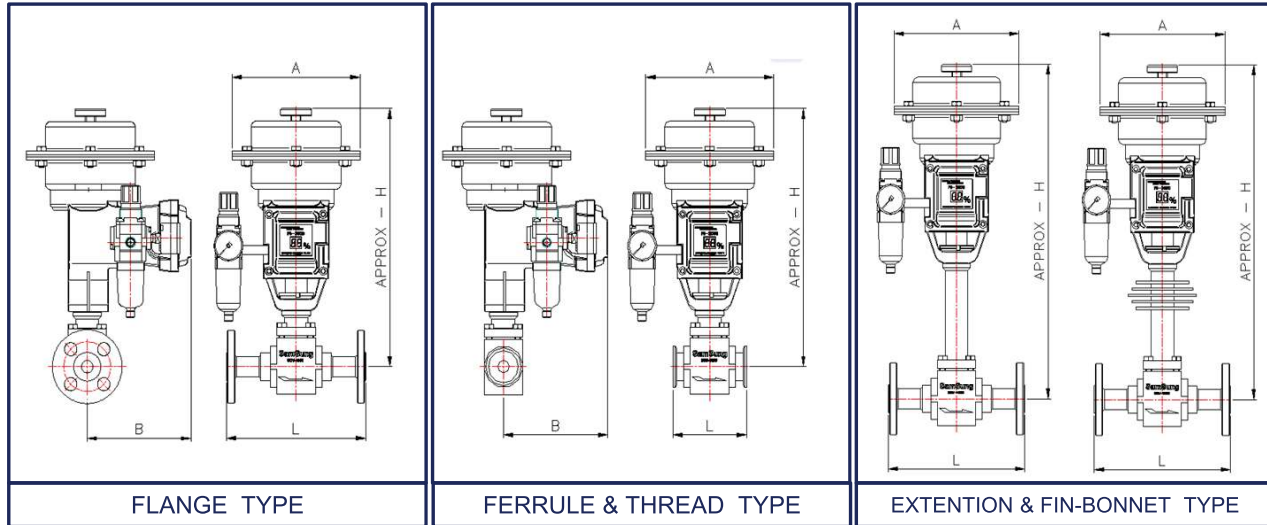
Internal view of PCB



Mode switch

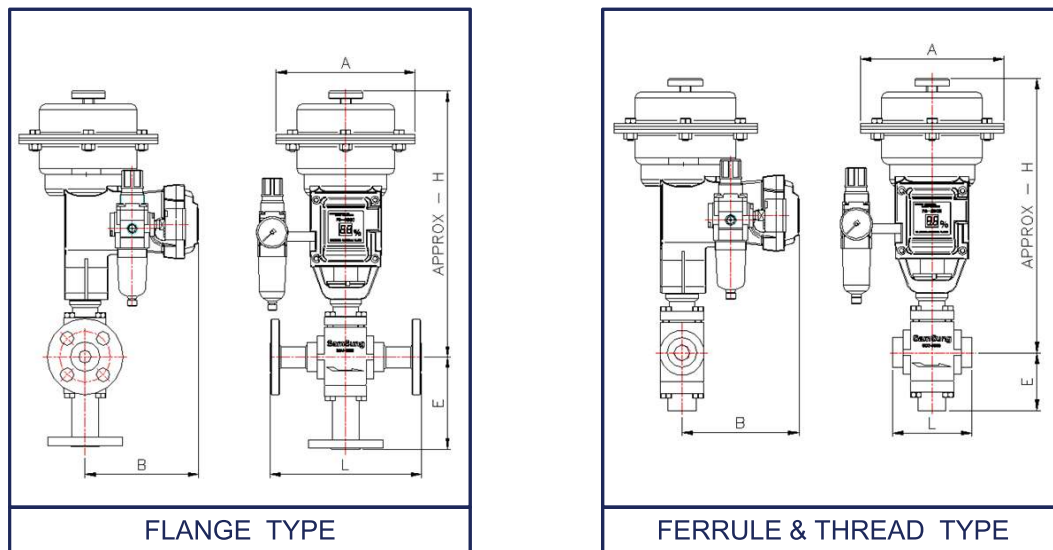
S/W	Function	Up(On)	Down
1	Action	Direct Action	Reverse Action
2	Double/Single	Double Acting	Single Acting
3	(FND) Display	Reverse display	Normal display
4	Fail function	Fail-stop	Fail-position

2-Way dimension



TYPE	SIZE	A	L	B	APPROX -H	EXTENTON APPROX- H
FLANGE	15 A,20A	165	184	135	315	415
	25 A	220	184	135	315	415
FERRULE	1.0S ~ 2.0S	165	95	135	315	415
THREAD	¼ " ~ 1"	165	95	135	315	415

3-Way dimension



TYPE	SIZE	A	L	B	E	APPROX -H	EXTENTON APPROX- H
FLANGE	15 A,20A	165	184	135	135	315	415
	25 A	220	184	135	135	315	415
FERRULE	1.0S ~ 2.0S	165	95	135	70	315	415
THREAD	¼ " ~ 1"	165	95	135	70	315	415

- Flange is changed according to customer's request.
- The size of actuator is subject to the operating pressure.



SAMSUNG CONTROL VALVE
223-561, Seoknam-Dong, Seo-Gu,
Incheon-City, Korea

Tel : +82-32-578-9992 / Fax : +82-32-581-9998

URL : www.samsungvalve.com

E-mail : samsungvalve@gmail.com