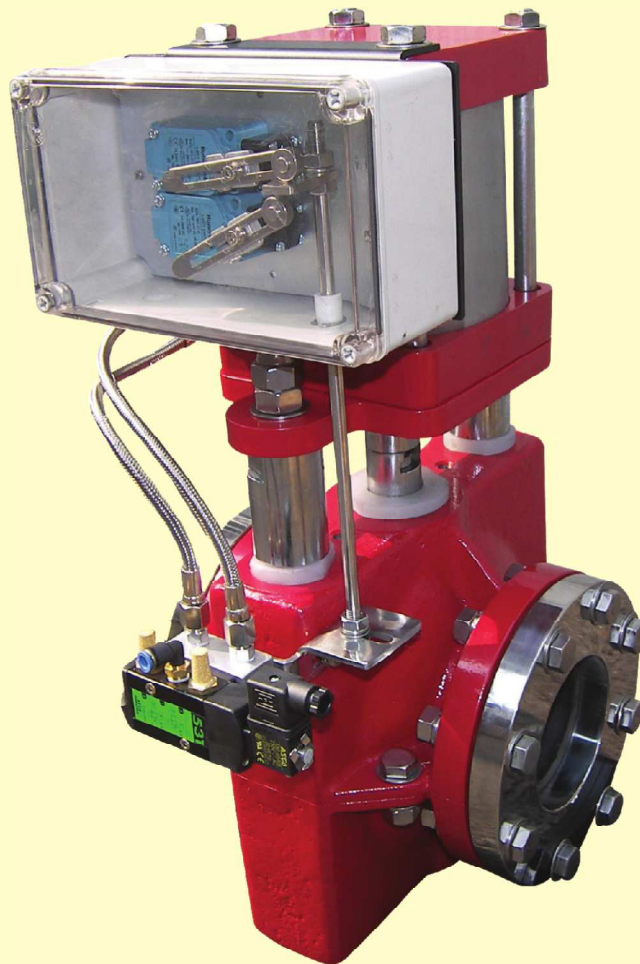


PINCH VALVE PSV-1000 SERIES



• DESCRIPTION

Pinch valve is a full bore type of control valve which uses a pinching effect to obstruct fluid flow and designed to remove or solve process problem in connection with controlling the flow of cohesive, abrasive or corrosive fluids.

Major components of Pinch valve consists of body, a sleeve and actuator. Generally used for slurries or processes with entrained solids, because the flexible rubber sleeve allows the valve to close drop-tight around solids that would typically be trapped by the seat or stuck in conventional valves such as globe, diaphragm, butterfly, gate, or ball valves.

The sleeve material can be selected upon the corrosiveness and abrasiveness of the flow media. Rubber material sleeve provides the user leakage-free regardless of sizes of solid fluids. Same size Sleeve as pipe line also give the users lowest flow resistance.

Pinch valve is applied to industries such as bulk and solids handling, cement industry, waste water industry, chemical industry, beverage/food, mineral processing, pulp/paper industry, power generation, ceramic/glass/plastic industry.

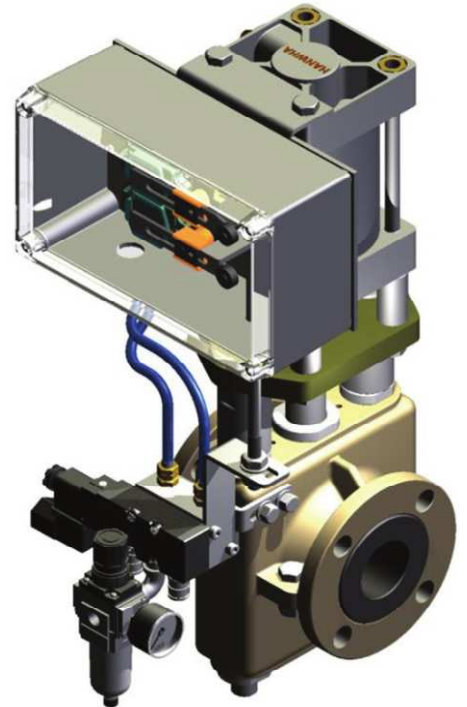
Pinch Valves in aggressive fluid processes saves a lot down time, and guarantees a free flow through the valve, avoiding any blockages.

A pinch valve may be the best valve for flow control application

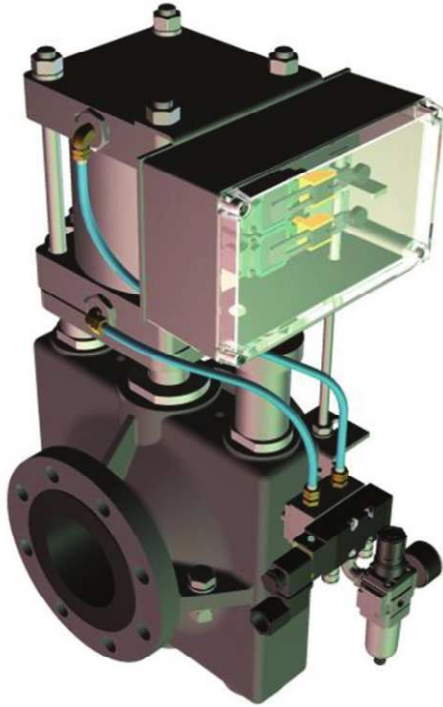


• FEATURES

1. Compact design (Body + Sleeve + Actuator)
2. 100% air-tight
(Best application is for pneumatic conveyer lines)
3. Stable and reliable sealing effect by using fixing bar and moving bar designed for linear operation.
4. Size of sleeve is designed to meet Pipe lines for minimizing flow resistance.
5. No leakage by the unique design that only inside Sleeve contact with fluid .
6. Easy maintenance(Replacement of Sleeve)
7. Rubber material Sleeve prevent valve troubles such as fluid stuck and leakage.
(Sleeve material can be changed)
8. Operated by Pneumatic Actuator or Manual handle-wheel.



• SPEC & MATERIAL



Specification :

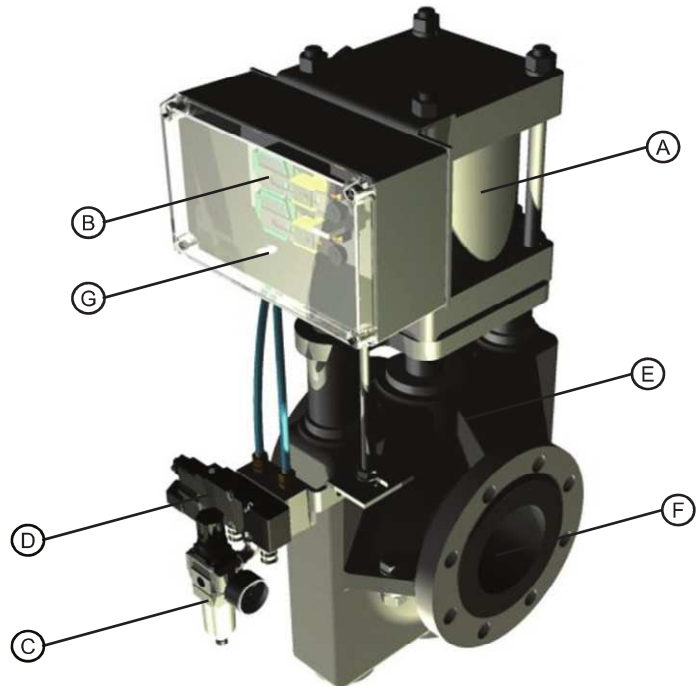
- Size : 50A ~ 250A
- Working pressure : 0 ~ 10 bar(g)
- Fluid Temperature : -50 °C ~ +180 °C
- Ambient temperature : -5 °C ~ +60 °C
- Flange drilling : ANSI, JIS, DIN
- Air supply pressure : Min. 4 bar(g) / Max. 9.9 bar(g)

Materials :

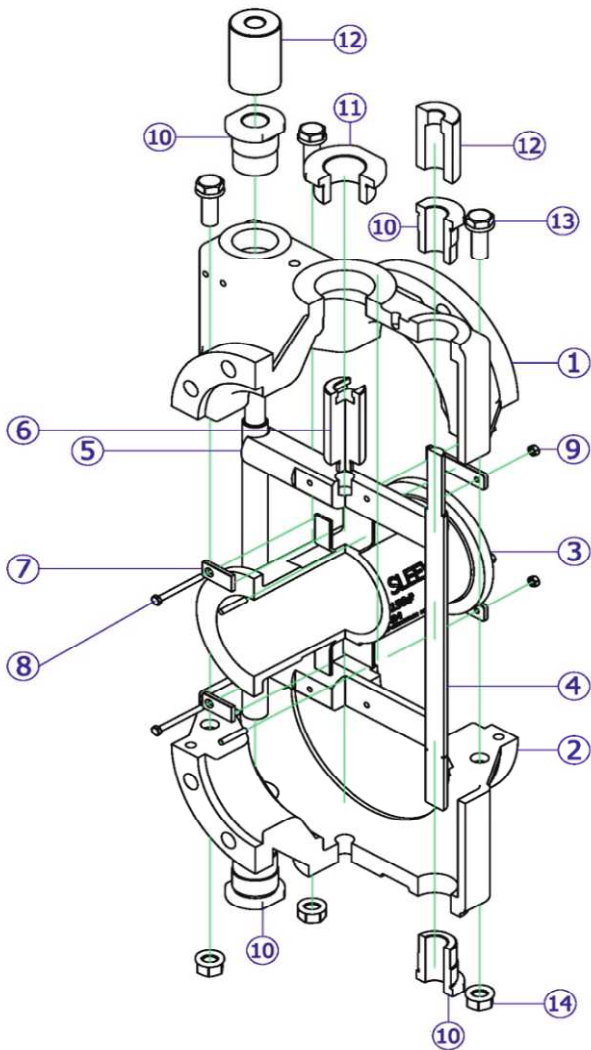
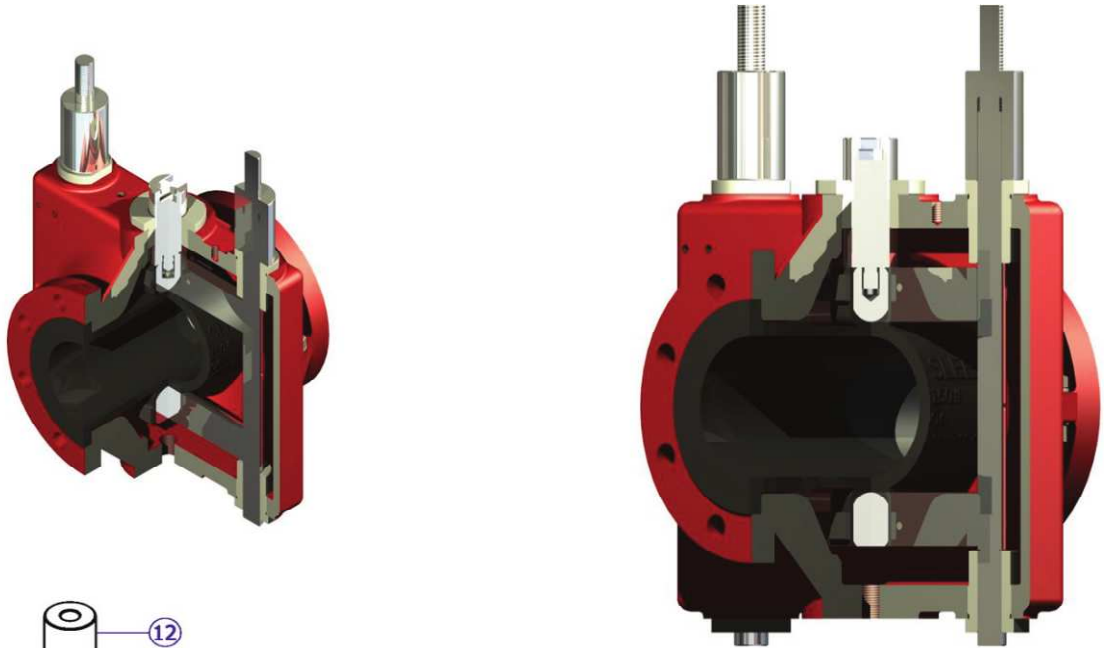
- Body : Aluminum Alloy, Cast Iron, Ductile Iron
- Shaft : SS41/A283-C, SUS304/A240-304
- Guide post : SS41/A283-C, SUS304/A240-304
- Guide bushing : PP or BRASS
- Sleeve : CR , EPDM, NBR

• STRUCTURE

NO.	Q'ty.	DESIGNATION	Remark
A	1	Pneumatic Actuator	Double Acting
B	2	Limit Switch	Open / Close
C	1	Air Filter Regulator	
D	1	Solenoid Valve	
E	1	(Pinch)Valve Body	
F	1	Sleeve	
G	1	Limit switch case	



• PART LIST

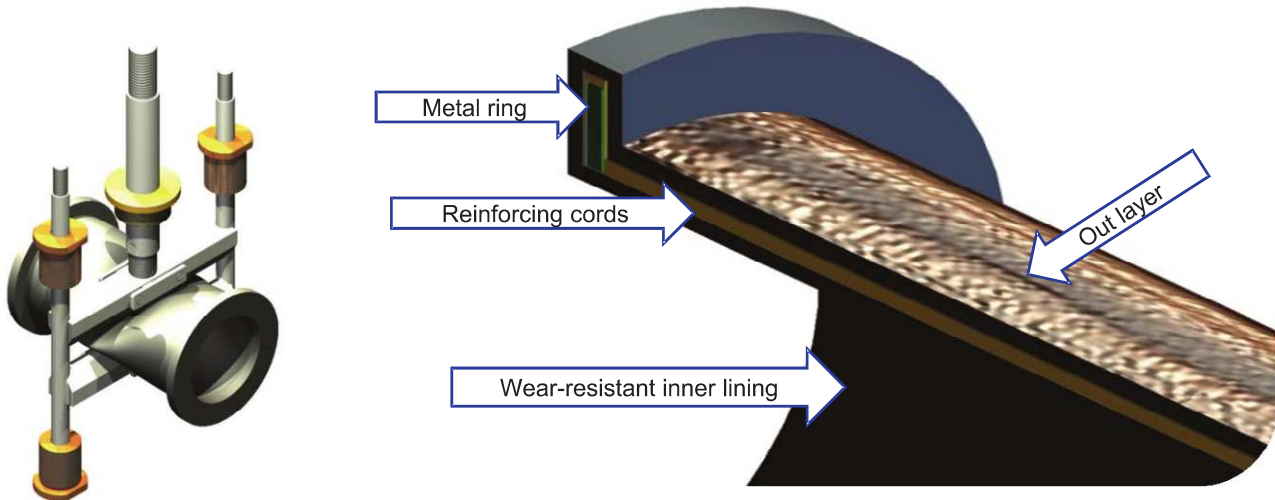


NO.	Qty.	DESIGNATION	MATERIAL
1	1	TOP HOUSING	A126CI.B
2	1	BOTTOM HOUSING	A126CI.B
3	1	SLEEVE	CR
4	1	GUIDE POST	A283-C
5	1	BAR	VITON
6	1	SHAFT	A283-C
7	1	BEND CLAMP	A283-C
8	1	Hexagon bolt M6 × 50	5.6 Galvanized
9	1	Hexagon NUT M6	5.6 Galvanized
10	1	POST GUIDIE BUSH	PP
11	4	SHAFT GUIDE BUSH	PP
12	2	ADJUST SHAFT	A283-C
13	1	Hexagon bolt M16 × 40	8.8 Galvanized
14	4	Hexagon NUT M16	8.8 Galvanized

Note : Standard materials

• SLEEVE MATERIAL GUIDE

- ✓ Metal ring : Preventing separation from Housing
- ✓ Reinforcing cords : Protecting Inner lining and reinforcing the hardness and durability of Sleeve
- ✓ Wear-resistant inner lining : Same material with Sleeve but, It can be changed upon fluid site condition
- ✓ Outer layer : Protecting internal part of Sleeve , inner lining breakage and leak to outside sleeve



Sleeve	Application	Typical media
CR (Chloroprene)	Special purpose Chemical application	Acids, Several solvents, Aliphatic oils, Fats, Lubricants
(Ethylenepropylene)	Chemical application	Concentrated & Oxidizing Chemicals
NBR (Nitrile rubber)	Application involving oils, fats and hydrocarbon	Oils, Fats, Fuels, Hydrocarbon, Lubricants
NR (Natural Rubber)	High wear application	Abrasive materials, Diluted acids Alkali & Chemicals

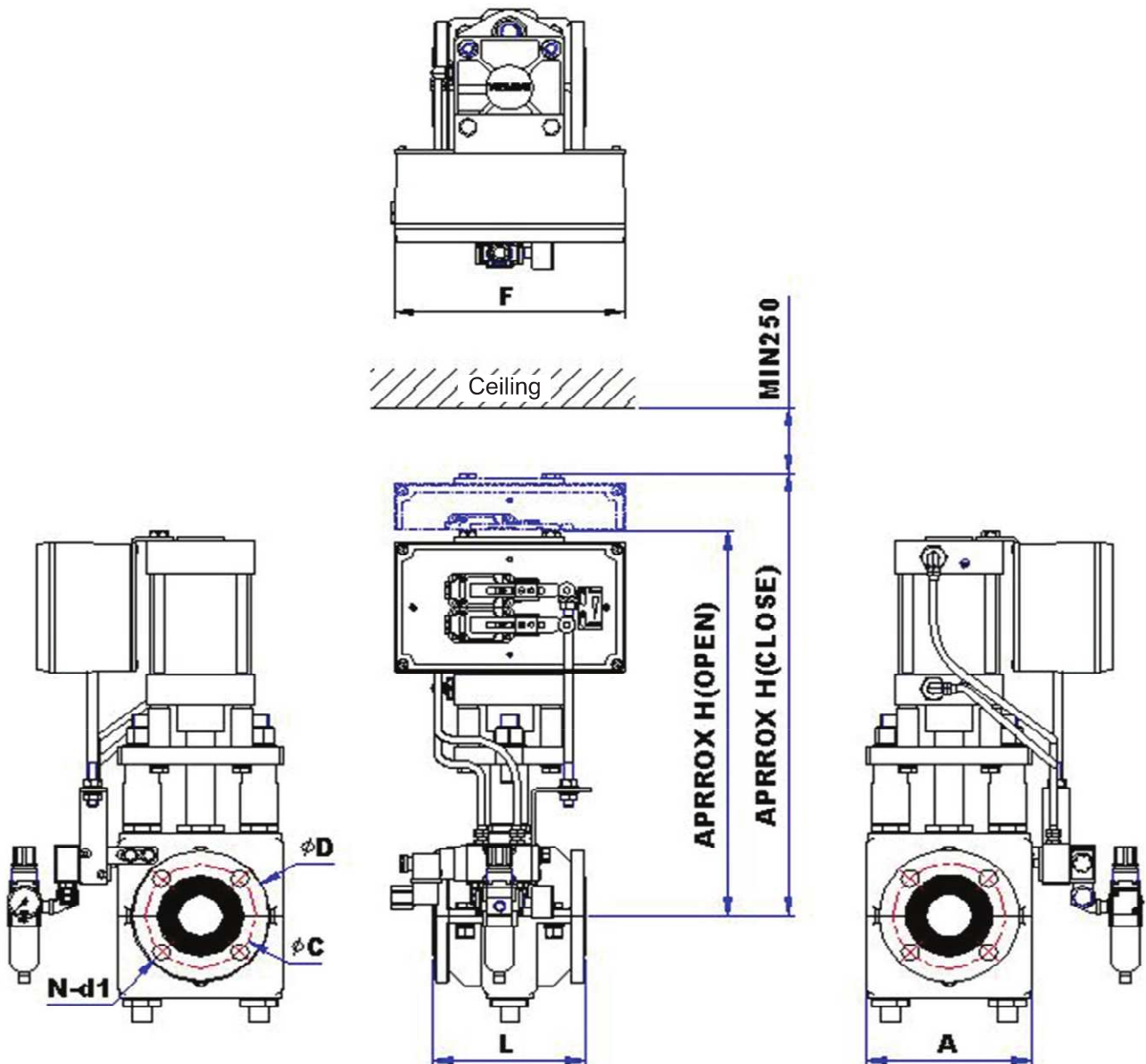
(Other sleeve materials are available, please contact factory in advance)

• APPLICATION INDUSTRIES AND FLUID

- ✓ Fly ash Pneumatic conveying system
- ✓ Lines with scale problem
- ✓ Chemical slurries
- ✓ Oil drilling mud
- ✓ Clinker or Cement
- ✓ Fluid such as viscous, abrasive granules, powder and slurries.
- ✓ Cyclone control Under silo

- ✓ Bulk and solids handling,
- ✓ Cement industry,
- ✓ Waste water industry,
- ✓ Chemical industry,
- ✓ Food industry.
- ✓ Ceramic-/Glass-/Plastic industry

• DIMENSION



Note : Electric cable connected with limit switch shall be flexible due to the an up-and-down motion of cylinder actuator.

(ANSI 150# / mm)

Size	A	E	H(OPEN)	H(CLOSE)	F	L	ΦD	ΦC(PCD)	N-d1
50A	180	300	430	455	250	165	152	120.5	4-19
65A	210	330	430	470	250	165	178	139.5	4-19
80A	245	365	440	480	250	200	190	152.5	4-19
100A	330	465	495	550	250	250	229	190.5	8-19
125A	360	495	660	725	250	312	254	216.0	8-22
150A	415	550	760	840	250	375	279	241.5	8-22
200A	480	615	1000	1100	250	500	343	298.5	8-22
250A	570	705	1100	1250	250	625	406	362.0	12-25

FLUID SOLUTION WITH PINCH VALVE



SAMSUNG CONTROL VALVE

223-561, Seoknam-Dong, Seo-Gu,
Incheon-City, Korea

Tel : +82-32-578-9992 / Fax : +82-32-581-9998

URL : www.samsungvalve.com

E-mail : samsungvalve@gmail.com