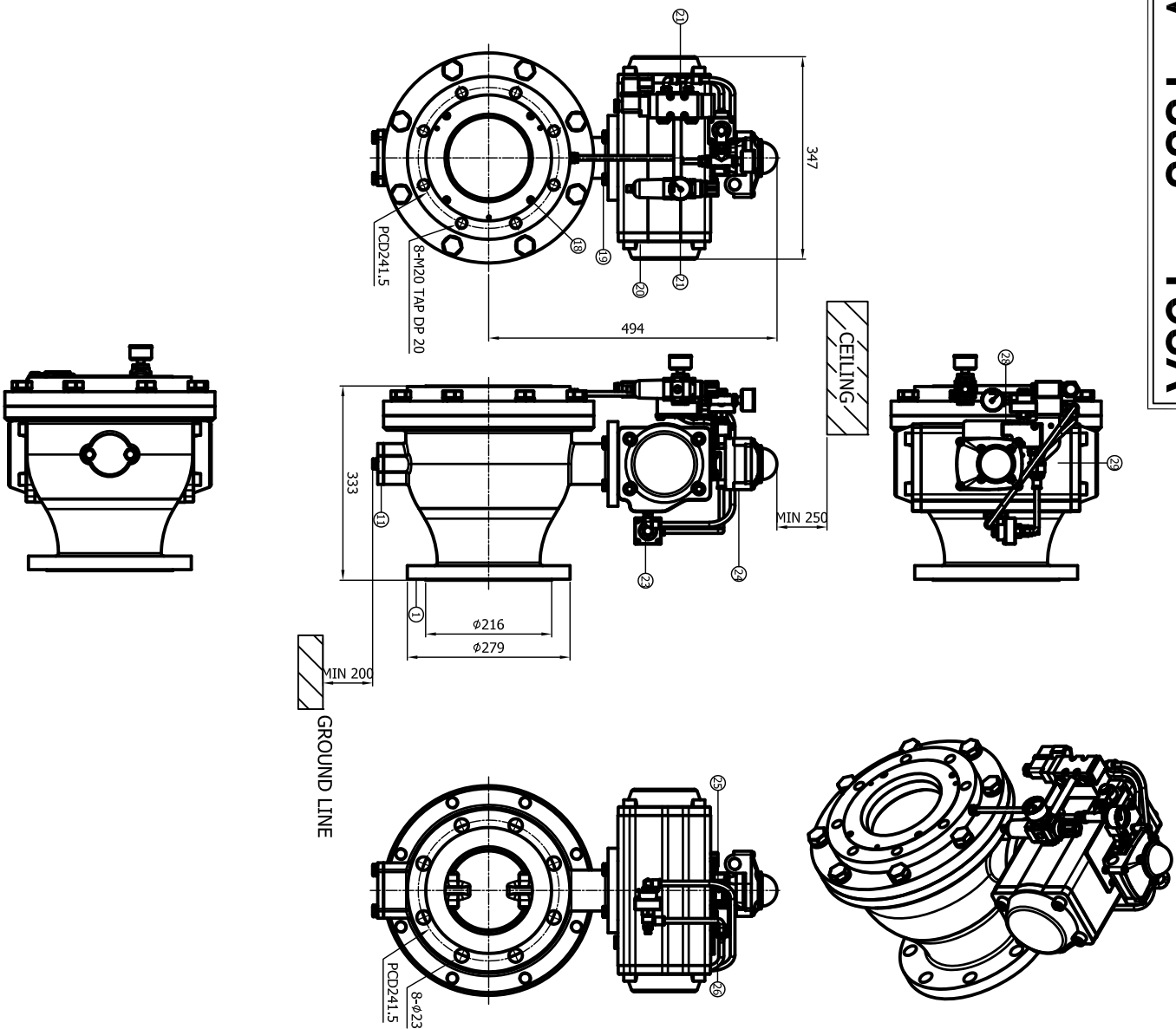


# ASBV-1000 - 150A



## PART LIST

PART NO.	PART NAME	Q'TY	MATERIAL	REMARK
1	BODY	1	SCMN2	
2	FLANGE	1	SS41	
3	SEAT GUIDE	1	SM45C	INSECT : THROSTEN GASK
4	INFLATABLE GASKET(SEAT)	1	EPDM	
5	SEAT RING	1	SM45C	
6	BALL PAD	1	SCMN2	
7	BALL	1	SCMN2	OUT SIDE : THROSTEN GASK
8	SPRING PIN	2	SWP	
9	BOTTOM SHAFT	1	SM45C	
10	O-RING	2	NBR	
11	BOTTOM COVER	1	SS41	
12	GUIDE BUSH	2	PP	
13	O-RING	2	NBR	
14	SHAFT	1	SM45C	
15	O-RING	1	NBR	
16	HAXAGON BOLT	8	SS400	
17	HAXAGON BOLT	2	SS400	
18	HAXAGON LANCH BOLT	4	SUS304	
19	HAXAGON BOLT	4	SS400	
20	ACTUATOR	1	HP-100	
21	AIR FILTER REGULATOR	1	APR-200	
22	SOLENOID VALVE	1	VFN-2120	
23	QUICK EX VALVE	2	AQ-2000	
24	LIMITS SWITCH	1	APL-210N	
25	CAM	1	SS41	
26	MECHANICAL VALVE	1	KVM-230	
27	SOL BLOCK	1	AL	
28	MC VALVE BRAKET	1	SUS304	
29	SOL VALVE BRAKET	1	SS41	

## NOTE

FLANGE CODE : ANSI 150# /mm

**SAM SUNG CONTROL VALVE**

**ASBV-1000 - 150A**

SIZE	DESIGN BY	DATE	DWG NO.	MODEL NO.	REV
A4	LEE SANG YOON	2014. 03. 21.	DXF-ASBV-150	ASBV-1000-150A	01
SCALE	N/S	UNITS	mm	SHEET NO.	01