

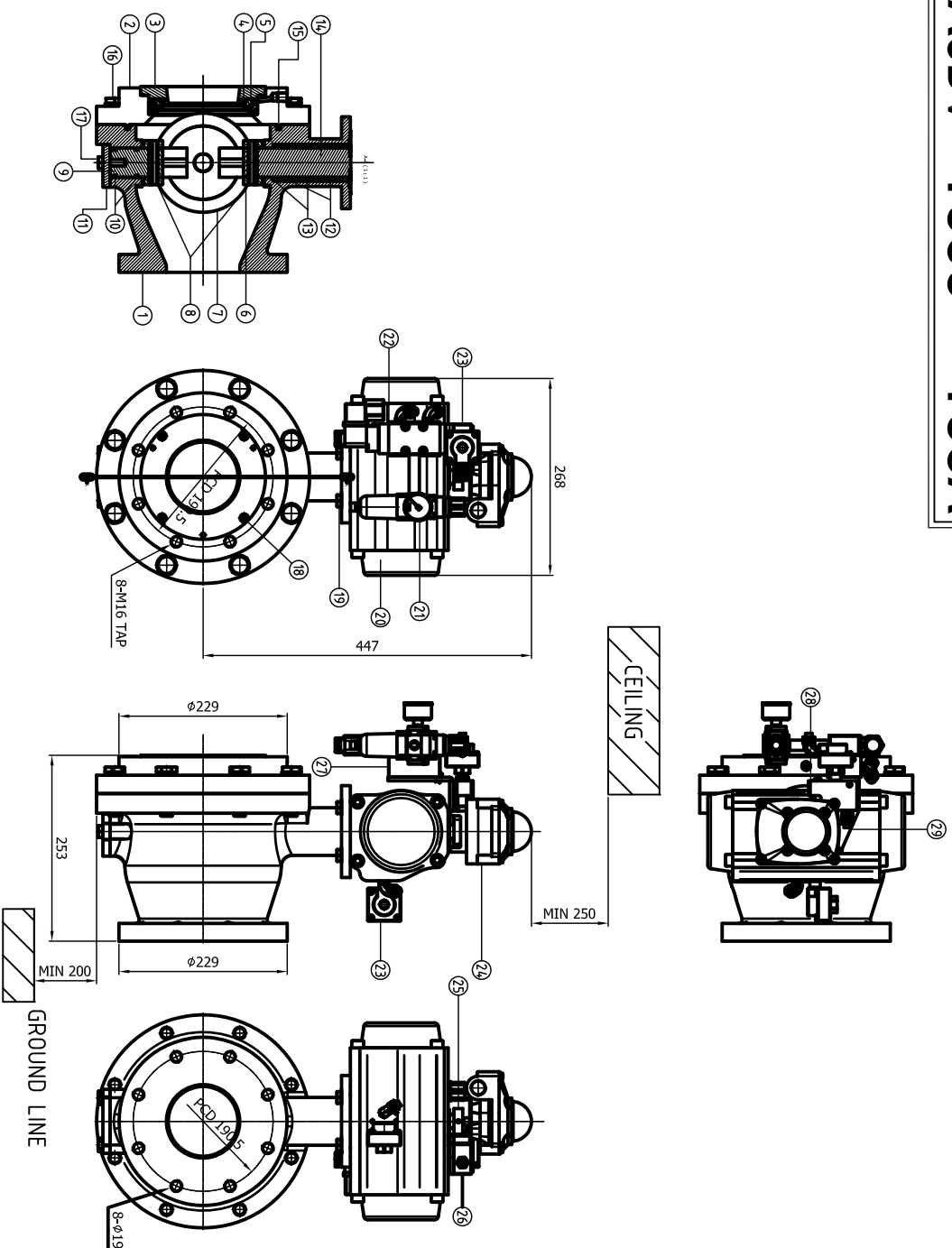
ASBV-1000 - 100A

PART LIST

PART NO.	PART NAME	QTY	MATERIAL	REMARK
1	BODY	1	SCMN2	
2	FLANGE	1	SS41	
3	SEAT GUIDE	1	SM45C	NOTE 1: THINNESS COAT
4	INFLATABLE GASKET(SEAT)	1	EPDM	
5	SEAT RING	1	SM45C	
6	BALL PAD	1	SCMN2	
7	BALL	1	SCMN2	OUT DIA. : THINNESS COAT
8	SPRING PIN	2	SWP	φ12-60L
9	BOTTOM SHAFT	1	SM45C	
10	O-RING	2	NBR	P34
11	BOTTOM COVER	1	SS41	
12	GUIDE BUSH	2	PP	
13	O-RING	2	NBR	P40
14	SHAFT	1	SM45C	
15	O-RING	1	NBR	G200
16	HAXGON BOLT	8	SS400	M16 * 50
17	HAXGON BOLT	2	SS400	M10 * 35
18	HAXGON LANCH BOLT	4	SUS304	M6 * 20
19	HAXGON BOLT	4	SS400	M10 * 35
20	ACTUATOR	1	HP-100	HKC
21	AIR FILTER REGULATOR	1	AFR-200	PARKER
22	SOLENOID VALVE	1	VN-2120	SMC
23	QUICK EX VALVE	2	AQ-2000	SMC
24	LIMITS SWITCH	1	APL-210N	HKC
25	CAM	1	SS41	
26	MECHANICAL VALVE	1	KM-230	PT 1/4"
27	SOL BLOCK	1	AL	
28	MC VALVE BRAKET	1	SUS304	
29	SOL VALVE BRAKET	1	SS41	

NOTE

FLANGE CODE : ANSI 150# /mm



SAM SUNG CONTROL VALVE

ASBV-1000 - 100A

SIZE	DESIGN BY	DATE	DWG NO.	MODEL NO.	REV
A4	LEE SANG YOON	2012. 05. 07	M3B-100	ASBV-1000-100A	04
SCALE	N/S	UNITS	mm	SHEET NO.	01